

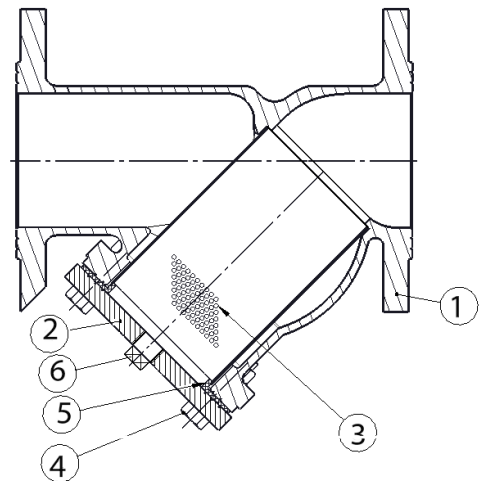
Y STARINER 202

- Body construction 202 Y 2"-12"
- Face to face ISO 5752
- Flanges AS-2124 (D) (BS10)
EN- 1092-2 (ND)
- Max working pressure PN 16
- Temperature range -20°C + 140°C according to material
- Coating Epoxy min 80 micron/ Rilsan® (Nylon 11) min 250 mic UV resistance
- Tightness test According to EN 12266-1:2003
- Material certificate EN 10204.3.1
- Screen 2"-8" 50% holes of Ø 3.25 mm
10"-12" 50% holes of Ø 5 mm



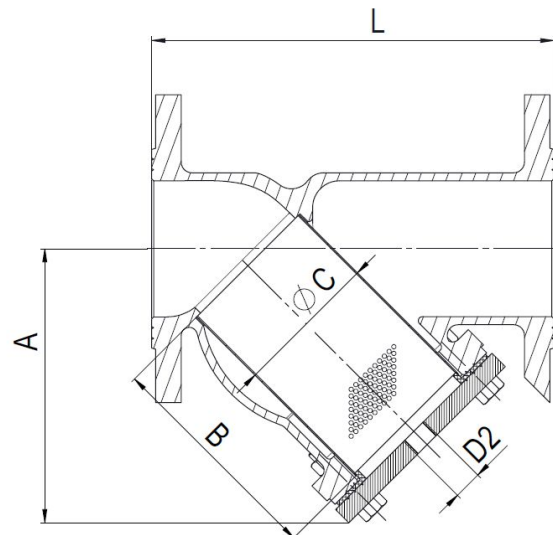
Materials Model 202

Item	Description	Material
1	Body	Ductile Iron/ Cast Iron
2	Cover	ST-37/ Cast Iron
3	Screen	SS304/316
4	Screw+Nut	SS/ Galvanized steel
5	Gasket	NBR/ EPDM
6	Plug	Galvanized steel



Dimensions Model 202

mm	50	80	100	150	200	250	300
Inches	2"	3"	4"	6"	8"	10"	12"
A	132	196	205	292	359	469	554
B	105	164	164	208	245	368	405
C	57	88	108	164	215	260	308
L	203	280	300	400	482	600	700
D2	1"	1.5"	1.5"	1.5"	1.5"	1.5"	1.5"
Kg	8.7	18	20.3	43	70	125	210



Note: Due to company's policy of continuous improvement, Hakohav Valves reserves the right to change specification without prior notice.